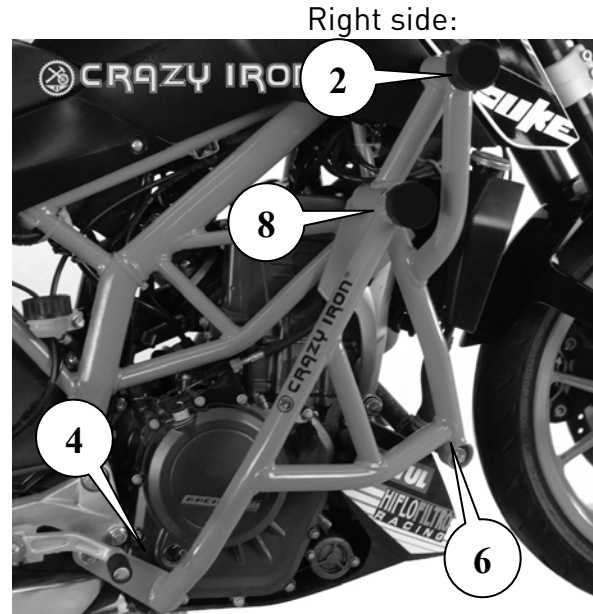
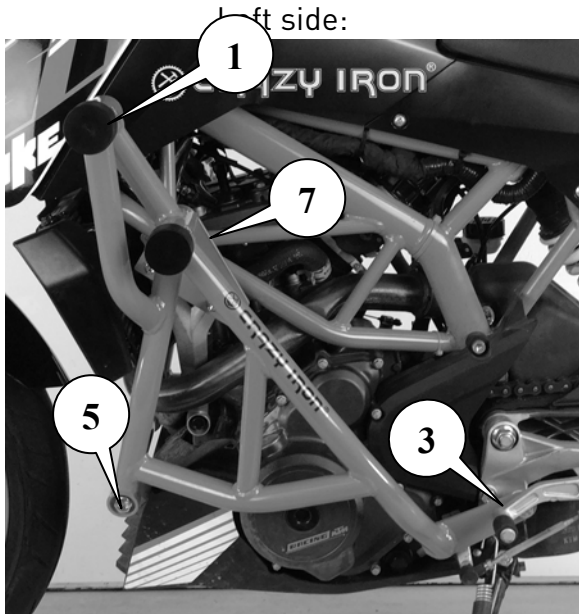


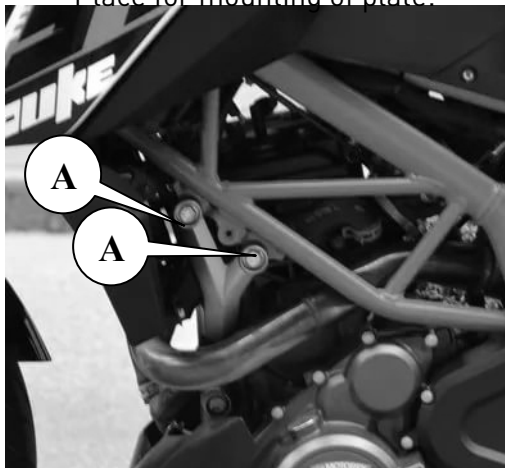
# Crazy Iron

KTM Duke 390 since 2021  
ID 900911/9009112/9009117

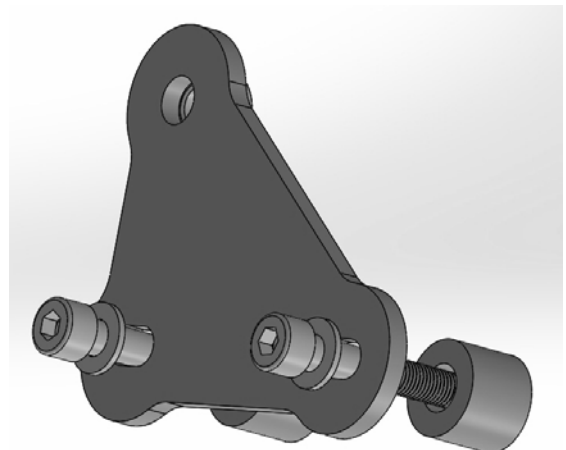
Installing:



Place for mounting of plate:



Fitting of plate



Comments:

**NEVER LOOSEN ENGINE BOLTS FROM THE LEFT AND RIGHT SIDES AT THE SAME TIME!!!**

1. Contact a specialized service, do not install the cage yourself!
2. Remove fairing elements if they can interfere the installation of Plate
3. Remove original bolt from points A on the right side and attach Plate to points A with bolts and spacers and fix.
4. Remove original bolt from points A on the left side and attach Plate to points A with bolts and spacers and fix.
5. Install fairing back.
6. Remove original bolts from point 4 on the right side of motorcycle.
7. Attach right side of cage to points 4 and 8 and fix with bolt M10x120 through spacer 22x10x16 in point 4 and with bolt Bolt M10x40 in point 8
8. Remove original bolts from point 3 on the right side of motorcycle.
9. Attach right side of cage to points 3 and 7 and fix with bolt M10x120 through spacer 22x10x16 in point 3 and with bolt Bolt M10x40 in point 8
10. Install between points N°5 and N°6 the brace and fix it with Bolts M10x1,25x30
11. Tighten the fasteners according to the table.
12. Install sliders in points N°N°1,2,7,8 and fix them with screws

Tightening torques Nm		
Thread	Connection type	
	Steel	Aluminum
M6	10	6
M8	24	20
M10	48	35
M12	56	45

**NEVER LOOSEN ENGINE BOLTS FROM THE LEFT AND RIGHT SIDES AT THE SAME TIME!!!**

Component table with according numbers in the photo:

№	Items						
	Slider	Screw					
1							
							
3	Bolt M10x120 	Spring washer 	Washer 	Spacer 20x10x16 			
	Bolt M10x120 	Spring washer 	Washer 	Spacer 20x10x16 			
5	Bolt M10x1,25x30 	Spring washer 	Washer 	Brace 			
	Bolt M10x1,25x30 	Spring washer 	Washer 				
7		Bolt M8x50 for Duke390, bolt M8x45 for Duke125/200 	Washer 	Spacer 20x10x17 	Slider 	Screw 	
							
		Bolt M10x40 DIN933 					
8		Bolt M8x50 for Duke390, bolt M8x45 for Duke125/200 	Washer 	Spacer 20x10x17 	Slider 	Screw 	
							
		Bolt M10x40 DIN933 					